

新鮮な発想で時代を切る「カットマンシリーズ」

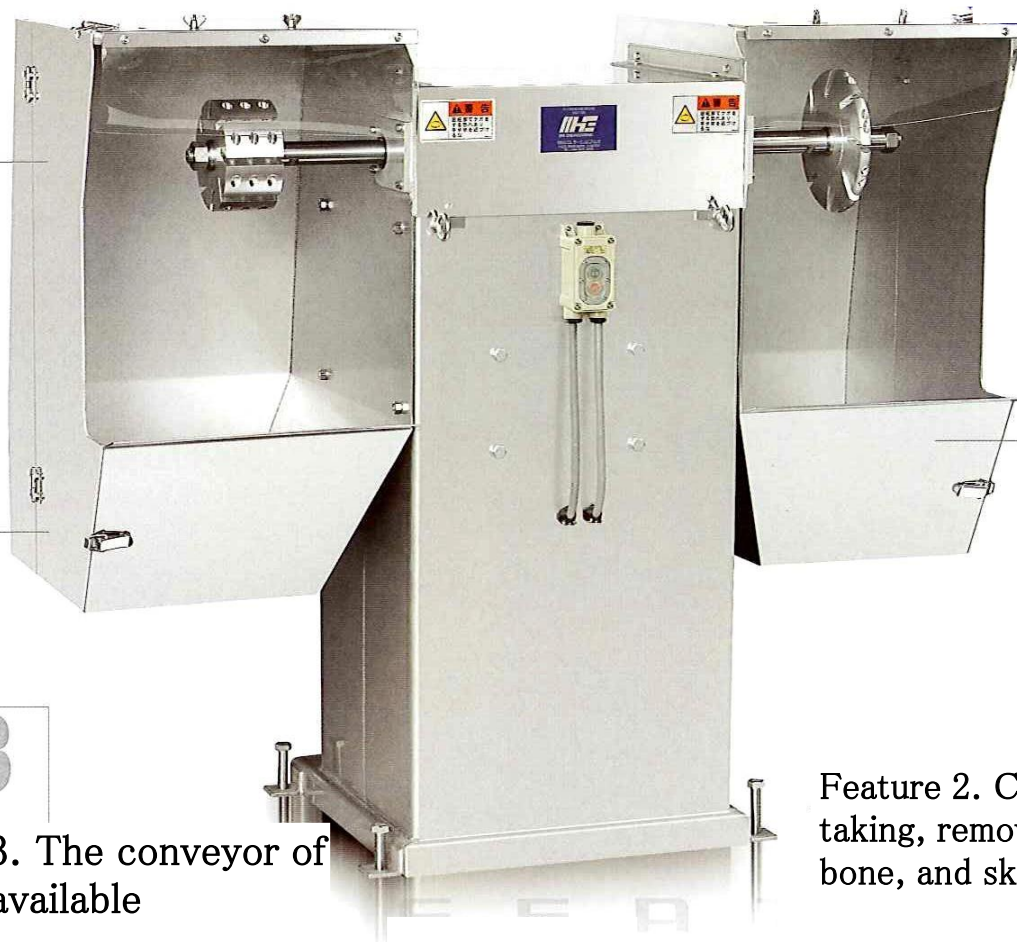
CUT-MAN 
series ⑤

Fish Processing Machine **KZ-45**

KZ-45 Loining machine
for fresh frozen fish

01
feature

Feature 1. Easy to maintain



03
feature

Feature 3. The conveyor of
waste is available

02
feature

Feature 2. Capable of flesh
taking, removing the main
bone, and skinning

-Main feature-

- It is an economical machine which is easy to use and adopts the structure for easy maintenance.
- It is useful in very various way like flesh taking, removing the main bone, and skinning.
- It designed possible to attach waste conveyor which matches with processing lines.

It is long-time seller tuna and bonito loining machine
which is repute by easiness of using.

KZ-45 loining machine for fresh frozen fish
 冷凍鮮魚用整形機 KZ-45

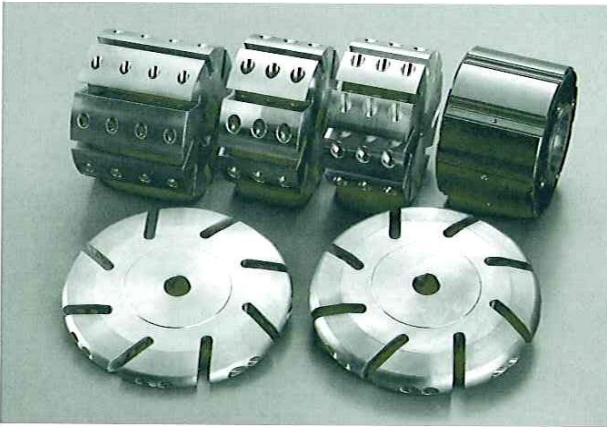
錆びにくく清潔感にあふれたステンレスボディ。水洗いも簡単です。

It is all stainless steel body which is rust-proof, clean and decent. And easy to wash by water.

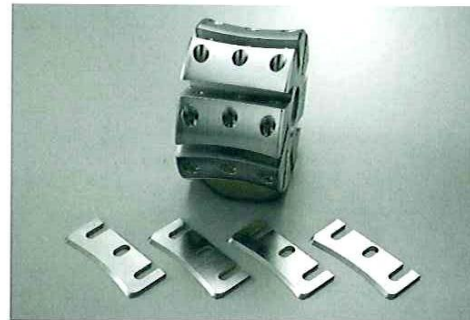
TOOLING & ACCESSORY

- *Flat type cutter and round head cutter
- *Cutter R

*Cutter R



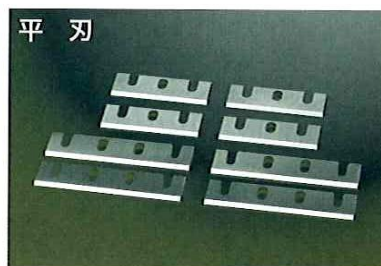
(注)写真上が、平型カッターです



*safety mesh glove



round head cutter



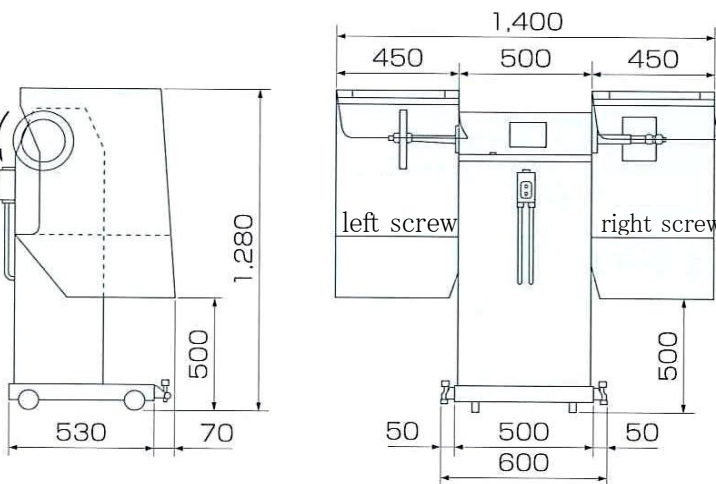
flat blade



SPECIFICATIONS & DIMENSION

Machine Specifications

Rotatory



Machine dimension

- Machine size 1,350 × 650 × 1260mm
- All over weight 280kg
- Motor 1.5kw 4p
- Power source Three-phase circuit
 Hz50/60 AC 200V~440v



MK ENGINEERING CO., LTD

1060 ISHIZU YAIZU-SHI
 SHIZUOKA-KEN 425-0041, JAPAN