

Defrosting & Sterilizing & Washing Machine

Suitable for processing frozen tuna to chilled block and tuna mince

Advantage

Defrosted, sterilized, and washed, gently and uniformly, thanks to air bubble
Suitable for foodstuff, such as tuna, damaged easily spoil



Option 1

Warm water supplied from boiler

Option 2

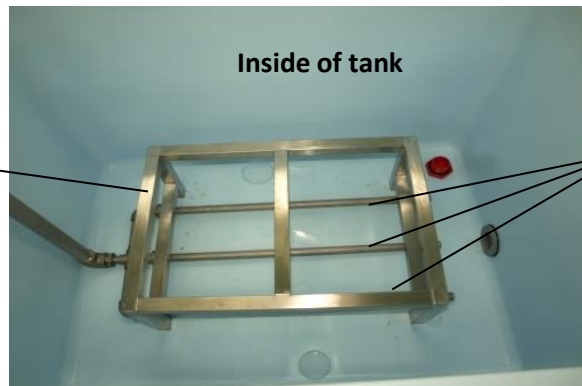
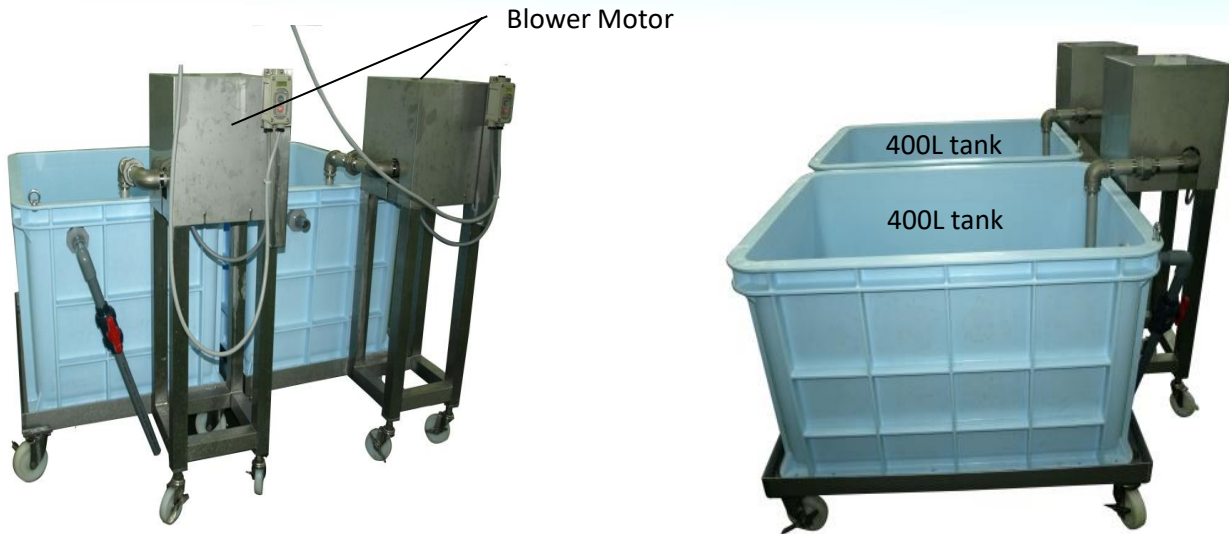
Sterilized water
Electrolyzed water



MKE

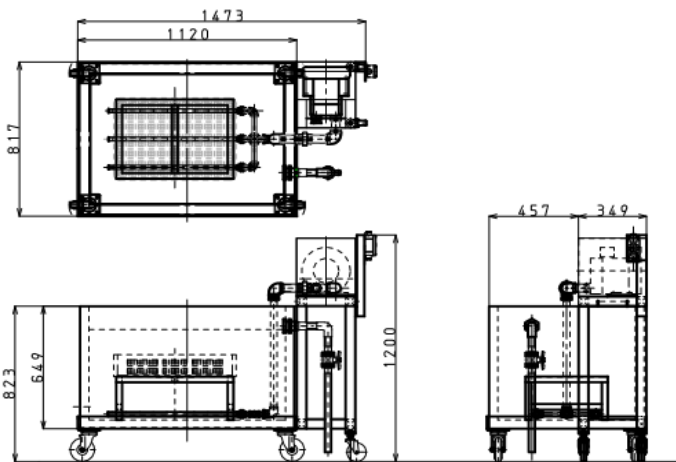
MK ENGINEERING CO.,LTD

Tsuna Defroster KS-20



Outline Drawing

Specification



Dimension of tank	1120L*817W*694H
Dimension of machine	1473L*817w*1200H
Blower motor	0.4kw 3 phase AC 200V

MK ENGINEERING CO.,LTD

1060 ISHIZU,YAIZU-SHI,SHIZUOKA-KEN,425-0041,JAPAN

TEL81-54-625-8360 FAX81-54-625-8361