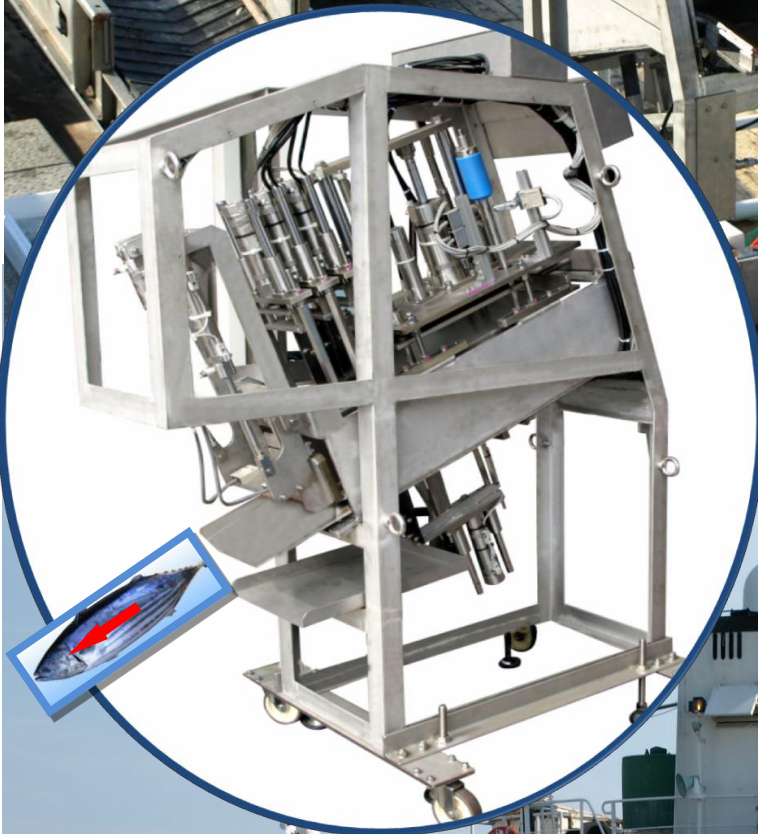


Automatic Bonitos Deblooding Machine

series 13



Selling agency
NISSIN REFRIGERATION & ENGINEERING LTD.
751 MIHO SHIZUOKASHI SHIMIZUKU
SHIZUOKAKEN 424-0901, JAPAN
TEL 81-54-334-0131 FAX 81-54-334-0171

Manufacturer
MK ENGINEERING CO., LTD.
1060 ISHIZU YAIZUSHI SHIZUOKAKEN
425-0041, JAPAN
TEL 81-54-625-8360 FAX 81-54-625-8361

【Evaluation & Comments of tasting】

Higashioki Bonitos

after 3 hours

after 6 hours



S-1 Bonitos

after 3 hours

after 6 hours



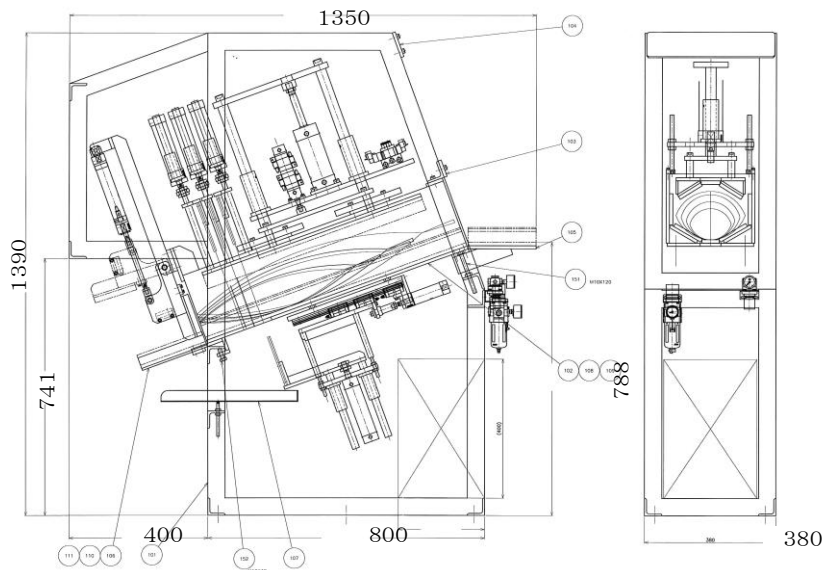
Higashioki Bonitos
 • Specific flavour of Bonitos

S-1 Bonitos
 • nice color
 • too nice color gives uncomfortable
 • sticky meat quality
 • good feeling for freshness
 • weak taste
 • light
 • clear difference between "after 3 hours"
 and "after 6 hours", although it is difficult
 to judge only by the pictures

specification

Target'fish's weight 2.5kg~14kg
 (Bonitos, Albacore Tuna, Tuna)
 Capacity 20 bonitos/min
 Dimension 1349x1391x380
 Weight 280kg
 Air Supply 4.5kgf/cm² 20nl/min
 Power Supply AC 100V 1p (50/60hz)

Speciality
 Automatic deblooding from **putting in** to **taking out**
 ①Putting in fish
 ②Detecting the size of fish by moving down the
 pressing plate
 ③Positioning the deblooding point according to the
 size of fish and actuating the upper & lower blades
 ④Opening the door and carrying out the fish



MK ENGINEERING CO.,LTD.
 1060 ISHIZU YAIZUSHI SHIZUOKAKEN
 425-0041, JAPAN
 TEL 054-625-8360 FAX 054-625-8361