

MK ENGINEERING CO.,LTD

Fish Processing Machinery

series[®]18

Automatic turning over defrosting/washing Machine Blade

KS-40

Equally washing, sterilizing, and defrosting for foods such as tuna, vegetables, etc.

Equally washing
洗淨

Sterilizing
殺菌

Defrosting
解凍



MK Engineering

Automatic turning over defrosting/washing Machine Blade KS-40



KS-40 Specification

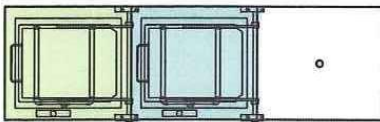
(unit:mm)

- Cage Capacity 130ℓ
- Water Tank Capacity 280ℓ
- Cage Hole Diameter $\phi 3 \sim \phi 10$
- Dimension (Machine) L1000×W900×H1100
- Drive Motor 200V 4P 0.2Kw
- Air Blower Motor 200V 4P 0.2Kw

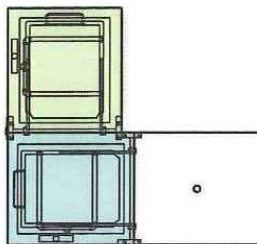
Production line Installation An example

Flexible Combination depending on the installing location

● 2 Series Straight Type

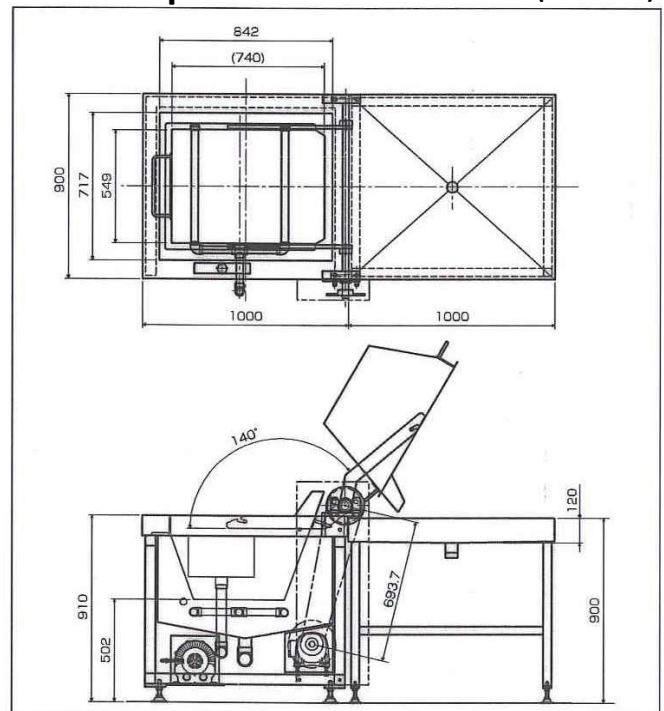


● 2 series 90 degree Type



KS-40 Specification

(unit:mm)



MK ENGINEERING CO., LTD.
〒425-0041 1060 Ishizu,
Yaizu City Shizuoka Pref., Japan
TEL 81-54-625-8360 FAX 81-54-625-8361

Sales Agent